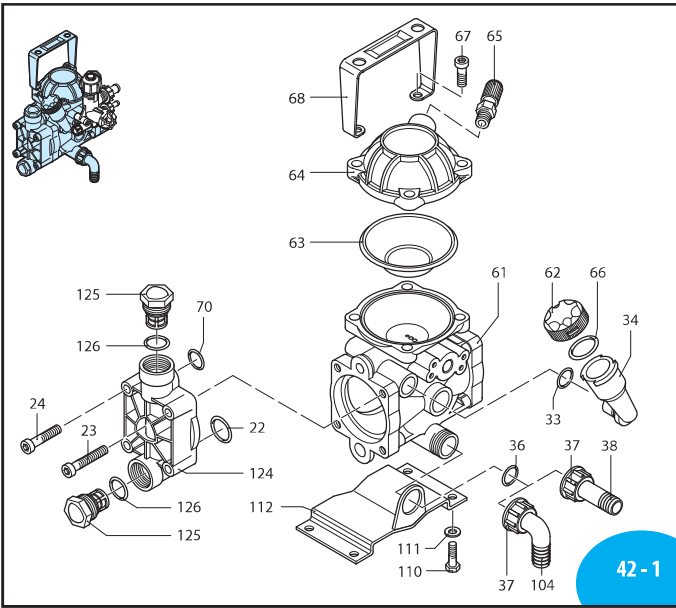
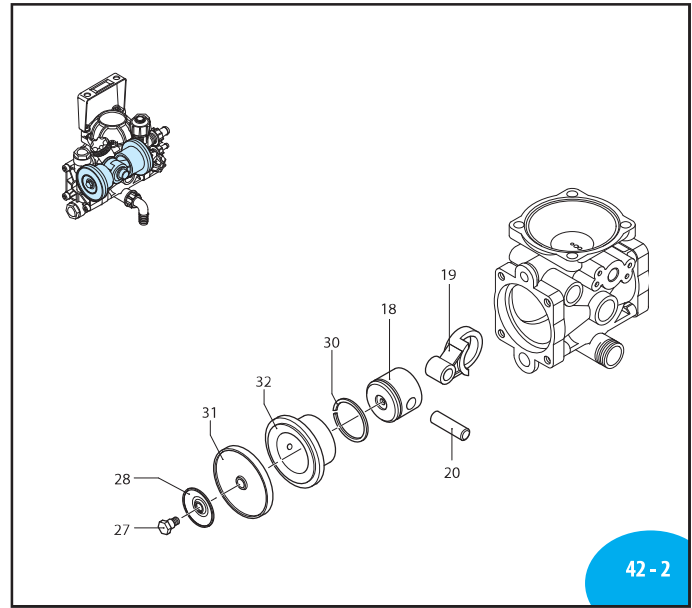


A.R. NORTH AMERICA

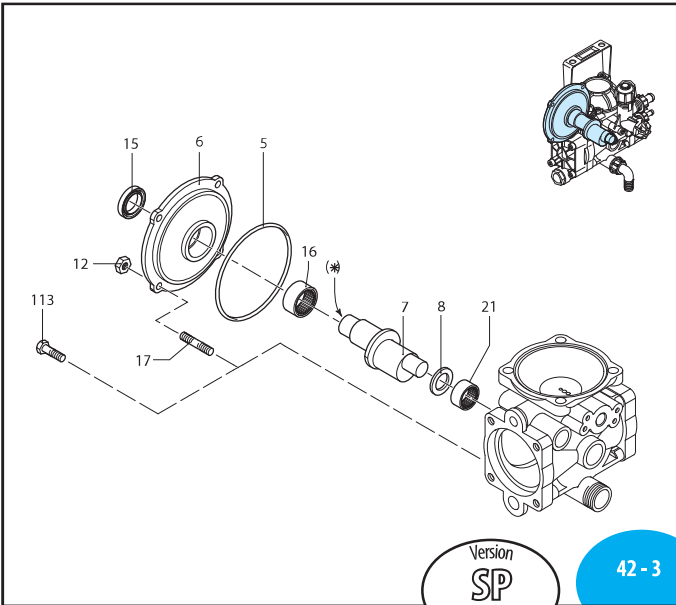
AR 252



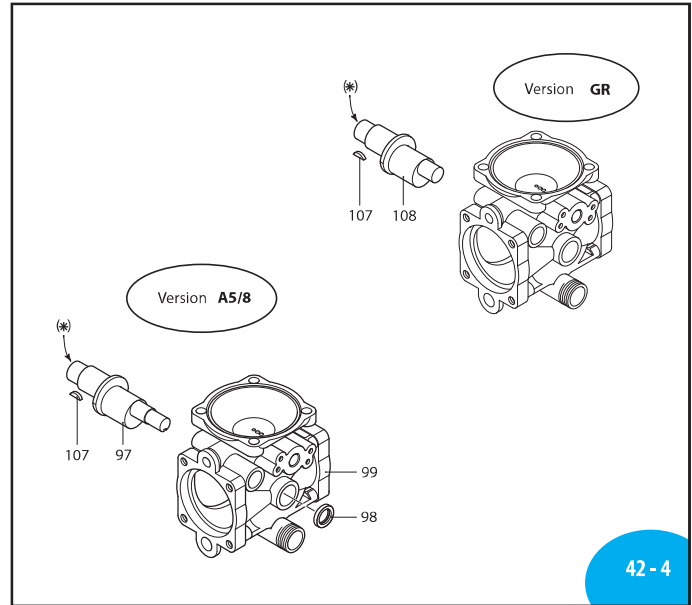
42 - 1



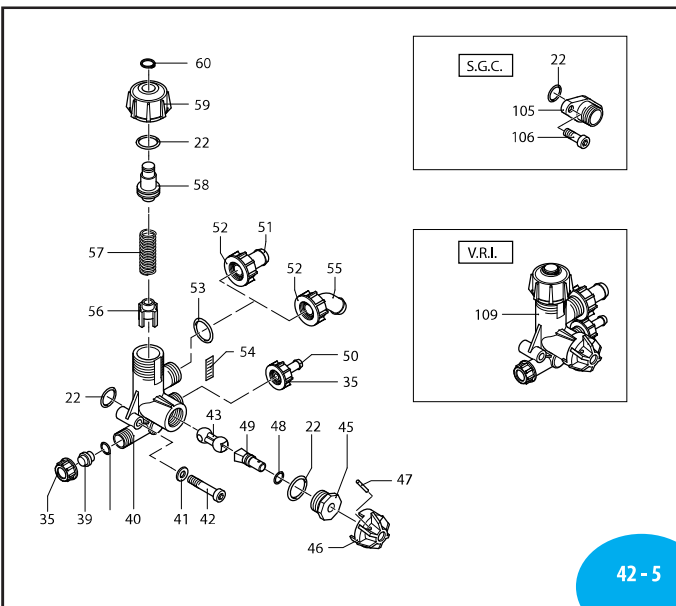
42 - 2



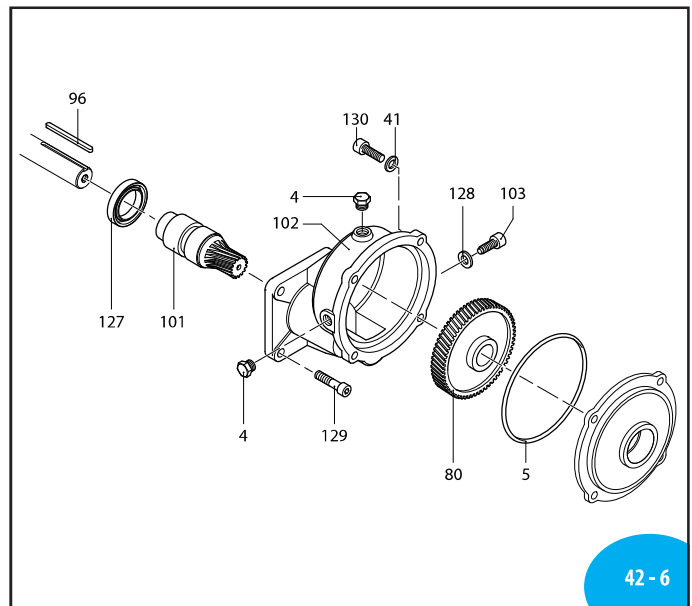
42 - 3



42 - 4



42 - 5



42 - 6

AR 252

	SGC	A5/8	GCI5/8	GCI3/4	A5/8-GCI
AR252-SP	31728	32094	31729	31727	31731

Pos	Code	Description	Qty	Note
4	620301	Plug 3/8" G	2	T88*
5	800380	O-ring Ø 97x1.6	2	
6	800020	Flange	1	
7	800170	Shaft marked C	1	3/4" solid shaft
8	800160	Spacer	1	
12	390440	Nut M6	4	
15	800200	Ring seal	1	
16	800180	Bushing	1	
17	550330	Stud	4	
18	802070	Piston Ø 42	2	T180*
19	800140	Connecting-rod	2	
20	800130	Pin	2	
21	480370	Bushing	1	
22	480440	O-ring Ø 17.13x2.62	5	
23	680360	Bolt TCEI M8x50	1	T180*
24	800220	Bolt TCEI M8x45	7	T180*
27	800090	Hub pin	2	
	800091	Hub pin	2	For Viton T180*
28	800350	Retaining washer	2	
30	802080	Piston ring	2	
31	800080	Diaphragm	2	NBR
	800081	Diaphragm	2	Viton
	800085	Diaphragm	2	Desmopan
	800086	Diaphragm	2	HPDS
	800082	Diaphragm	2	BlueFlex™
32	802050	Sleeve	2	AR 252
	802051	Sleeve	2	AR 252 (Viton)
33	740290	O-ring Ø 14x1.78	4	
34	801960	Oil sight glass	1	
35	800520	Ring nut	1	
36	390180	O-ring Ø 18.72x2.62	1	
37	550450	Ring nut 3/4" G	2	
38	800340	Hose barb 3/4"	1	
39	800540	Plug	1	
40	800400	Valve body	1	
41	550331	Washer	6	Z/B
42	800410	Bolt TCEI M6x40	2	
43	800430	Valve	1	
45	800500	Ring nut	1	
46	800510	Knob	1	
47	390330	Pin	1	
48	800560	O-ring Ø 8.73x1.78	2	
49	800490	Hub pin	1	
50	800530	Hose barb Ø 8	1	
51	800670	Hose barb Ø 15	1	
52	800680	Ring nut M22x1.5	1	
53	740290	O-ring Ø 14x1.78	4	

Pos	Code	Description	Qty	Note
54	800480	Retaining washer	1	
56	800440	Guide	1	
57	800450	Spring	1	
58	800460	Guide	1	
59	800470	Knob	1	
60	480550	Ring Circlip Ø e 12	1	290 PSI
61	800010	Pump body	1	
62	550057	Plug	1	
63	800190	Semi air chamber lower	1	Buna
	800191	Semi air chamber lower	1	Viton
	800192	Air chamber Diaphragm	1	BlueFlex™
64	800230	Semi air chamber upper	1	Black
	800232	Semi air chamber upper	1	Red
65	800650	Air valve	1	
66	550040	O-ring Ø 26.65x2.62	1	
67	540290	Bolt TCEI M8x25	4	T205*
68	800390	Knob	1	
70	800210	O-ring Ø 13.10x2.62	2	
80	800280	Driven Gear Z=57	1	
96	881090	Key	1	
97	800173	Shaft marked F	1	through shaft 5/8"
98	800960	Ring seal	1	
99	800011	Pump body	1	
101	800810	Pinion Z=13	1	3/4"
	801230	Pinion Z=13	1	5/8"
102	800820	Box	1	
103	800800	Bolt TCEI M8x16	1	
104	550460	Elbow 3/4"	2	
105	800692	Flange	1	
106	880280	Bolt TCEI M6x18	2	
107	800590	Key	1	
108	800171	Shaft marked D	1	GR version
109	1912	Control Unit Assy	1	290 PSI
110	180431	Bolt TE M8x16	2	T205*
111	380241	Washer	2	
112	800311	Base	1	
113	320350	Bolt TE M6x12	4	T90*
124	801940	Head	2	
125	809060	Complete valve	4	
126	880830	O-ring Ø 15.54x2.62	4	
127	480820	Ring	1	
128	1260100	Washer	2	
129	620440	Bolt TCEI 5/16" 24 UNF 7/8"	4	
130	850850	Bolt TCEI M 6x30	4	T177*

* Torque: in-lbs +/- 10%

Medium pressure

Repair Kits

AR 43278 Buna diaphragms	
AR 43281 BlueFlex™ diaphragms	
AR 43279 Desmopan diaphragms	
Pos.	Qty
22	2
31	2
63	1
70	2
126	4

AR 2408 Valves	
Pos.	Qty
125	4
126	4

AR 2409 O-Rings			
Pos.	Qty	Pos.	Qty
5	2		
22	5		
33	4		
36	1		
48	2		
53	1		
66	1		
70	2		
126	4		

Suggested Oil	
Type	Oz
AR64532D	32
Crankcase Oil Capacity 13 oz	

AR 1797 Sight Glass	
Pos.	Qty
34	1
62	1
66	1